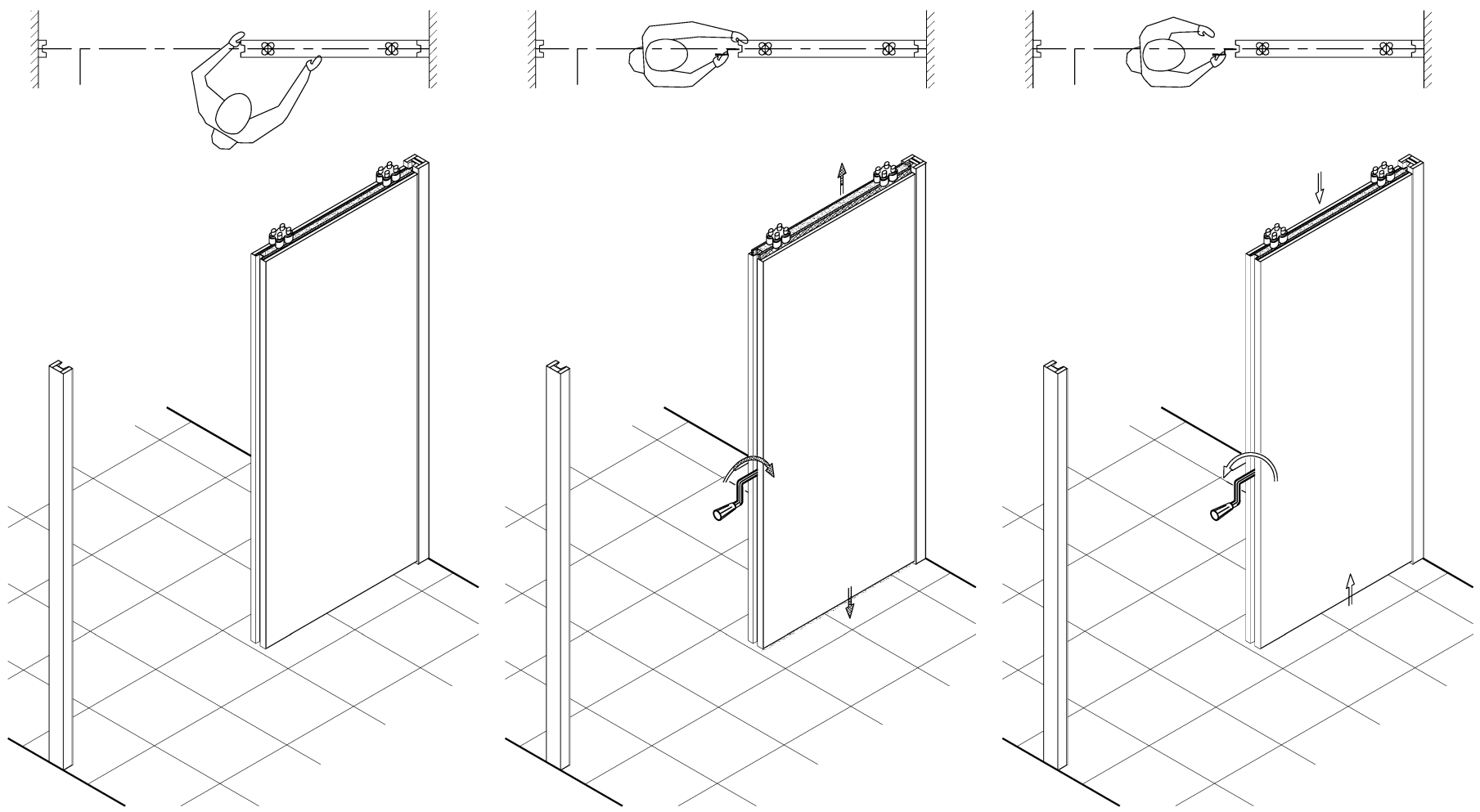




designed
for space
movable walls &
folding partitions
Pantijnen, The Netherlands

Palace general
operating instructions standard panel (SP)



push the panel into its position

to extend the seals, turn operating handle to the right, until it locks

to retract the seals, turn operating handle to the left, until it blocks

Date	09-04-2001
Scale	1:40
Size	A4
Drawn	FR
Revision	
Date	
By	

PALACE-6000



PARTHOS

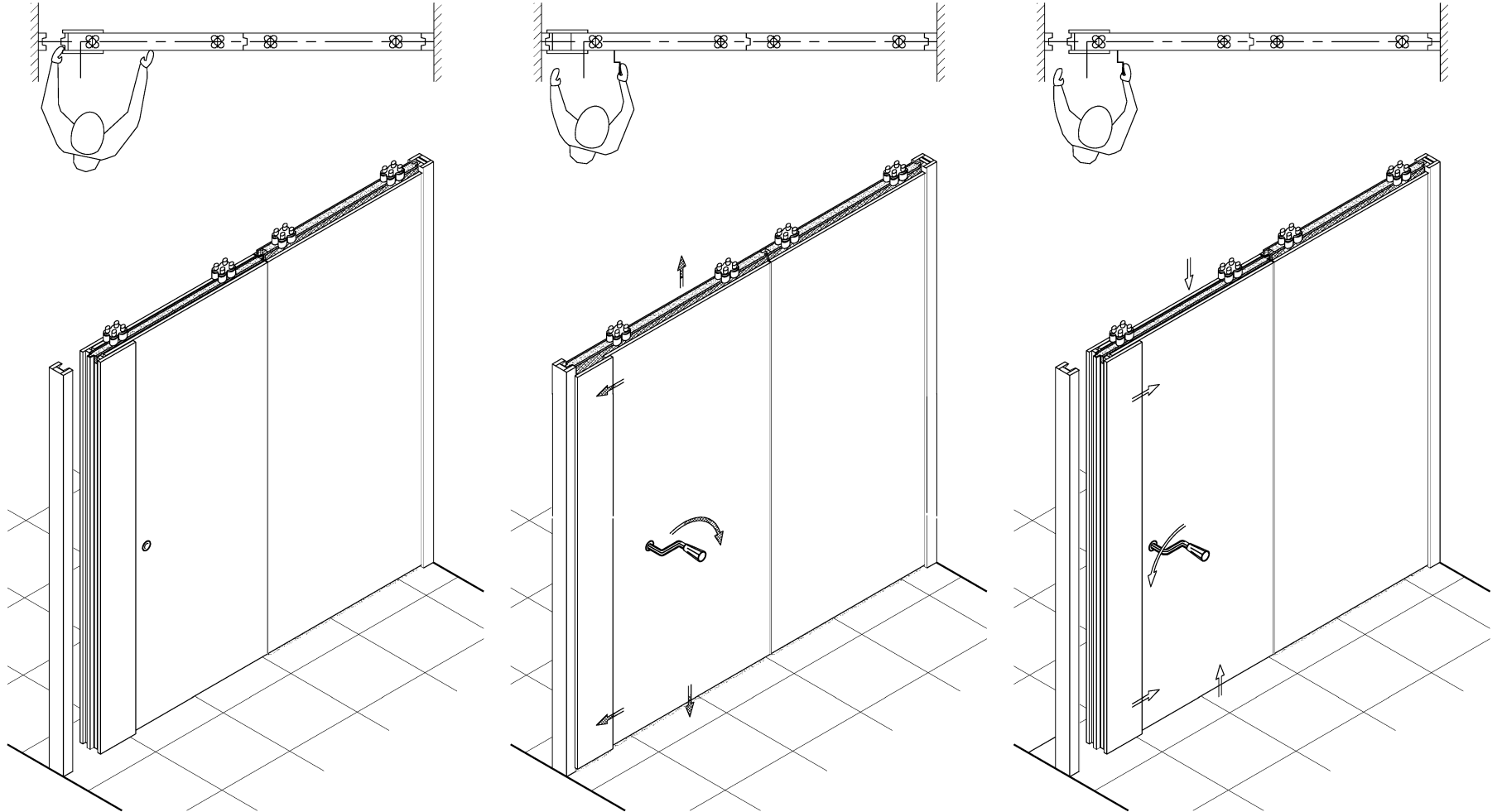


**designed
for space**

movable walls &
folding partitions
Panningen, The Netherlands

operating instructions adjusting panel (AP)

Palace general



push the panel into its position

to secure the panel, turn operating
is closed and the seals are extended
handle to the right, until the suitcase

to retract the seals and suitcase, turn
operating handle to the left, until it locks

Date 09-04-2001
Scale 1:40

Size A4

Drawn FR

Revision Date

By

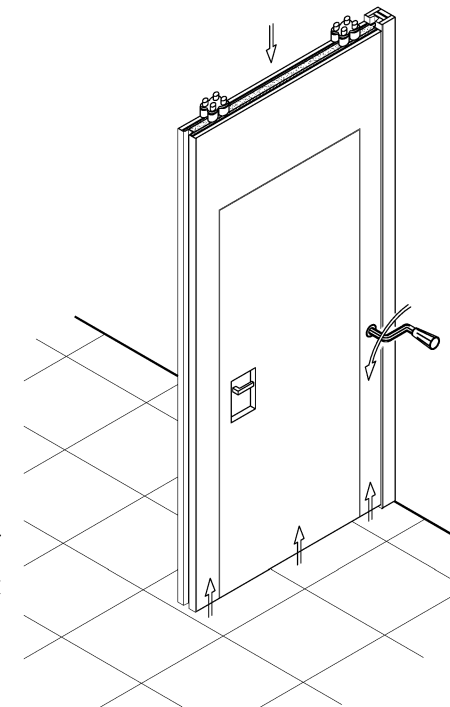
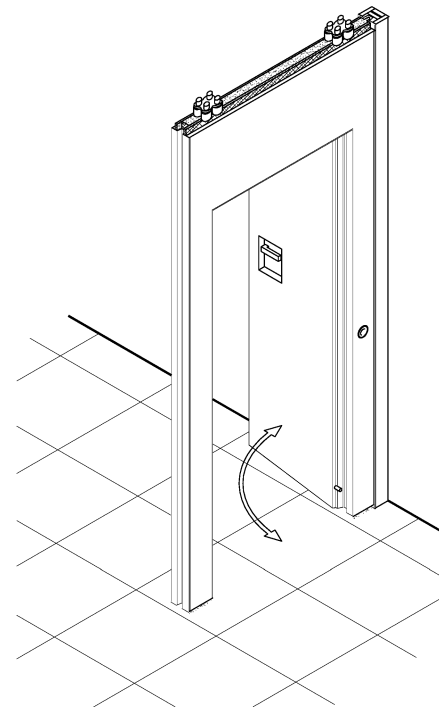
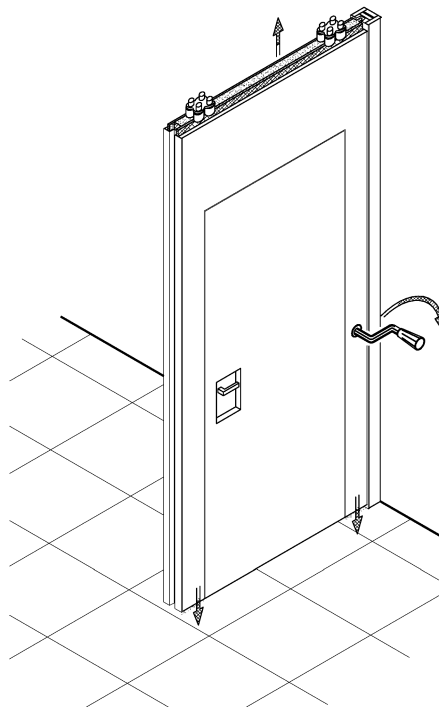
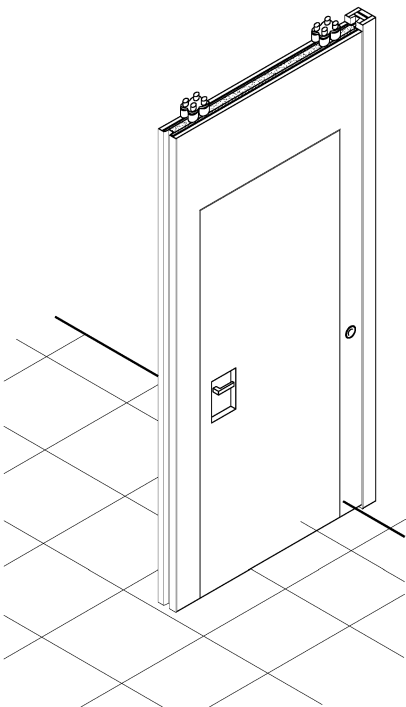
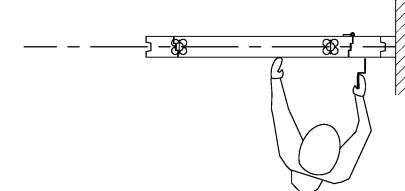
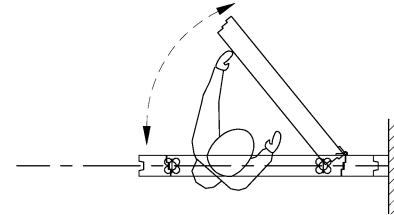
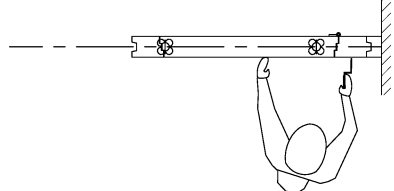
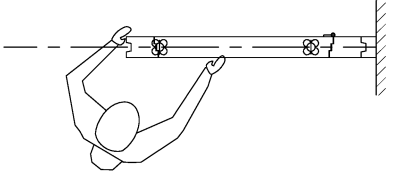
PALACE-601



PARTHOS



designed
for space
movable walls &
folding partitions
Pantijnen, The Netherlands



push the panel into its position

to extend seals, turn
operating handle to the right

open and close the door
to activate seal of door

to retract seals, turn
operating handle to the left

Palace general
operating instructions wicket door panel (WP)

Date	09-04	1
Scale	1:40	
Size	A4	
Drawn	FR	
Revision	Date	By

PALACE-602

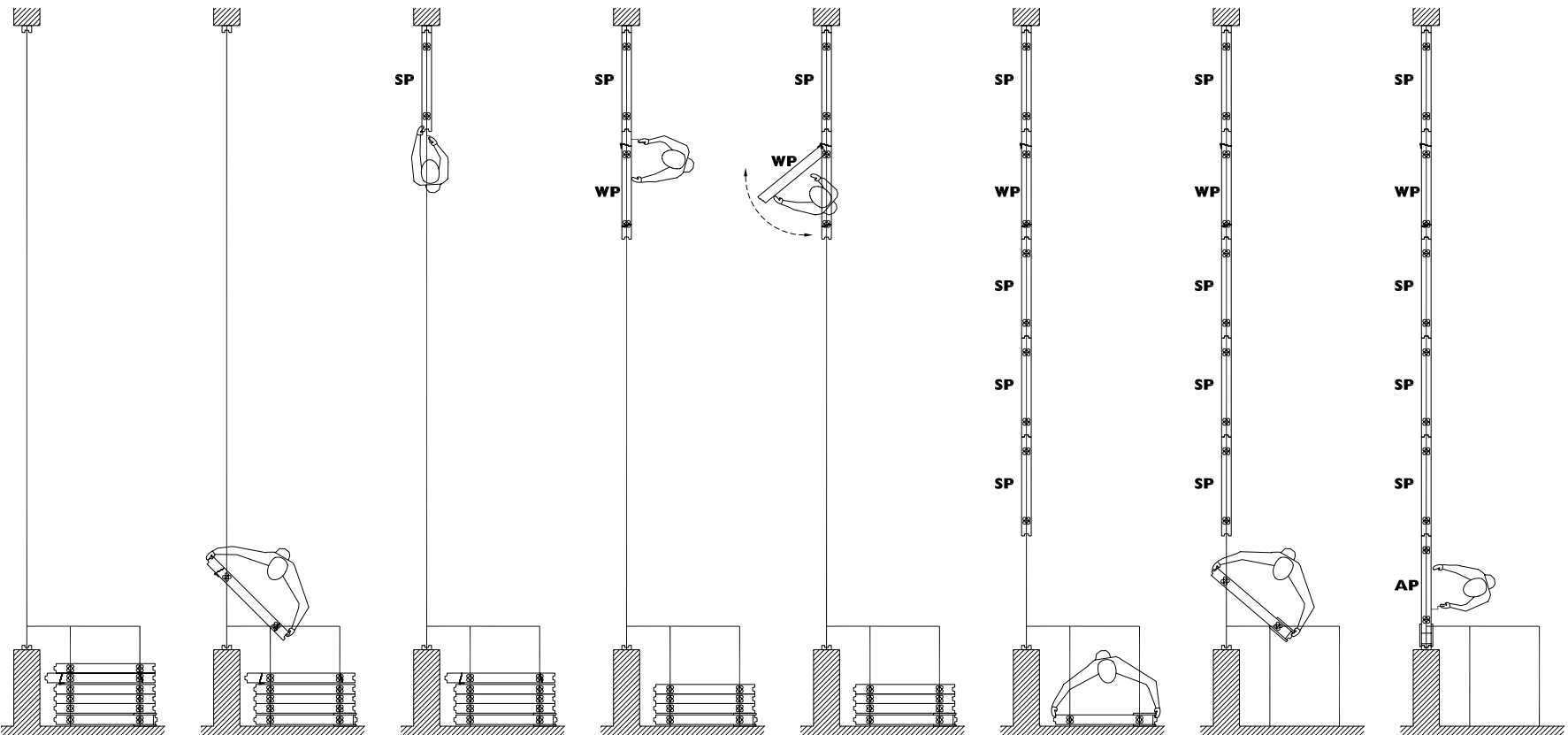


movable walls &
folding partitions
Pantingén, The Netherlands

designed
for space

Palace general

closing a mobile wall
cross guidance track system



Date **09-04-2001**

Scale **-**

Size **A4**

Drawn **FR**

Revision **Date**

By

PALACE-620

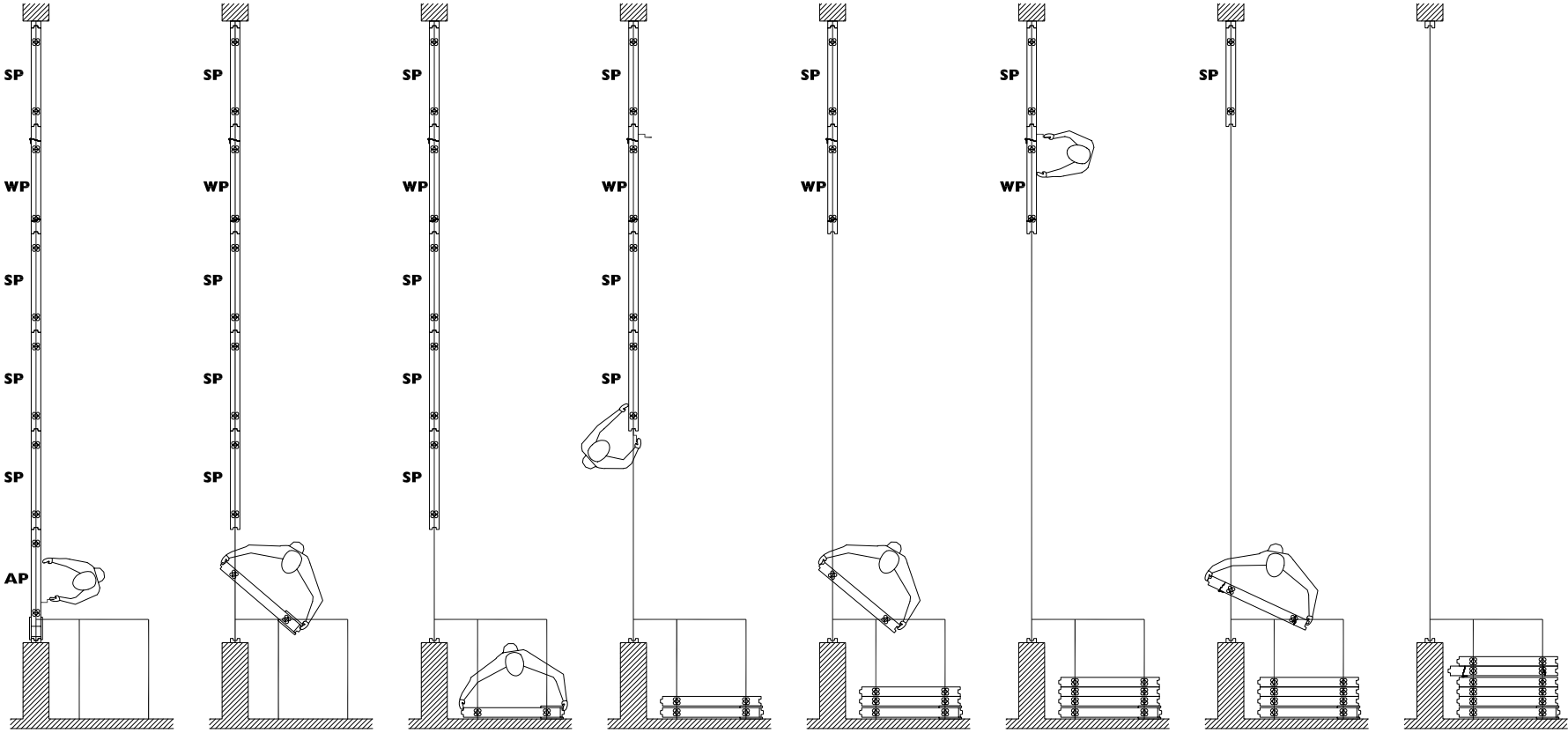


movable walls &
folding partitions
Pantingén, The Netherlands

designed
for space

Palace general

opening a mobile wall
cross guidance track system



Date **09-04-2001**

Scale

Size **A4**

Drawn **FR**

Revision Date

By

PALACE-621