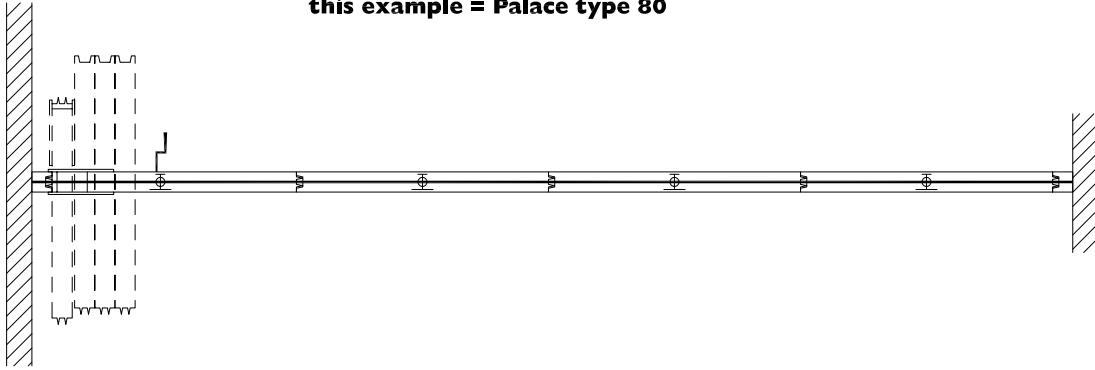


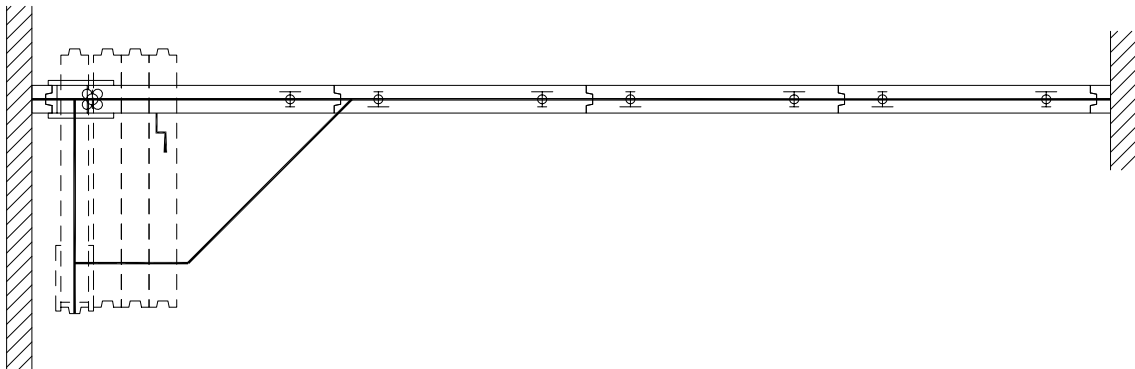
"OG" 1-point suspension

this example = Palace type 80



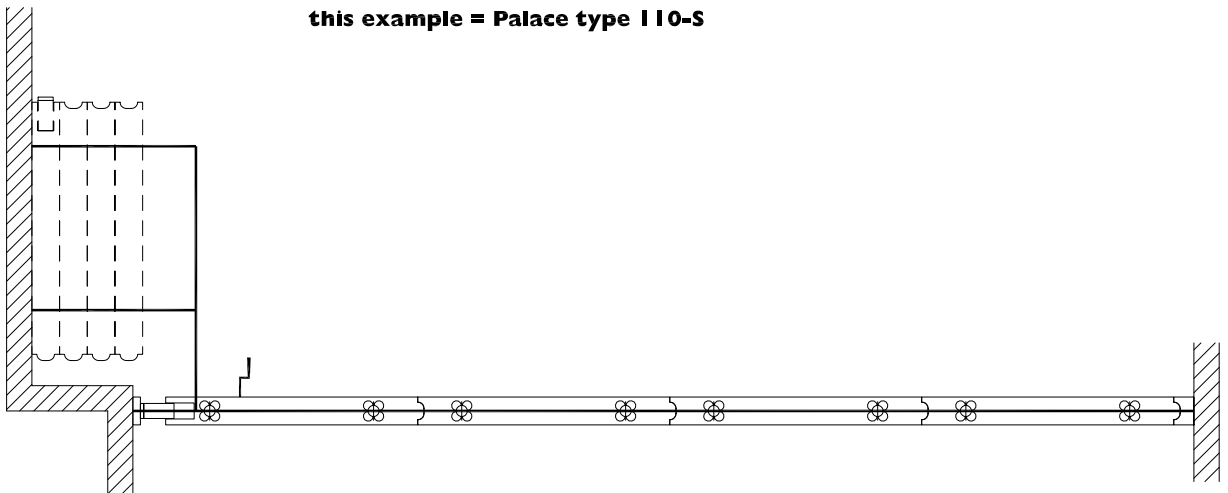
"FG" 2-point suspension, forced guidance

this example = Palace type 110



"CG" 2-point suspension, cross guidance

this example = Palace type 110-S



designed
for space



movable walls &
folding partitions
Panningen, The Netherlands

Palace general

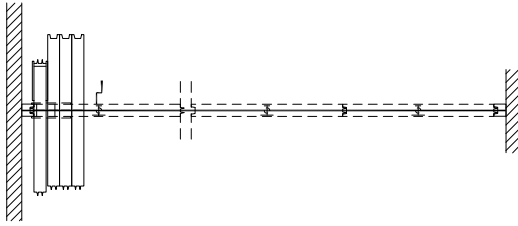
The three "basic" parking possibilities

Date	03-04-2001	
Scale	1:30	
Size	A4	
Drawn	FR	
Revision	Date	By

PALACE-201

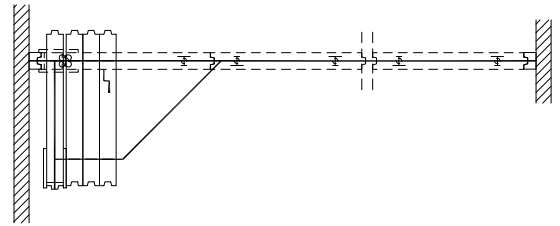
one-point suspension (OG)

1



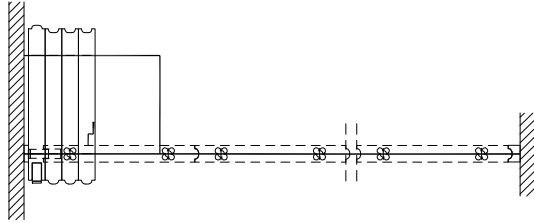
two-point suspension forced guidance (FG)

2



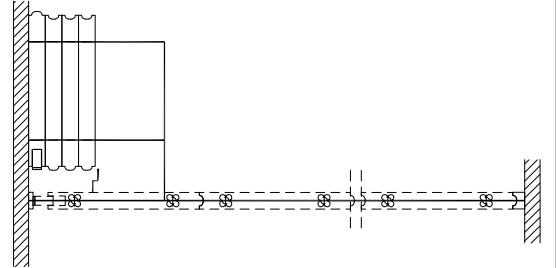
two-point suspension cross guidance (CG)

3



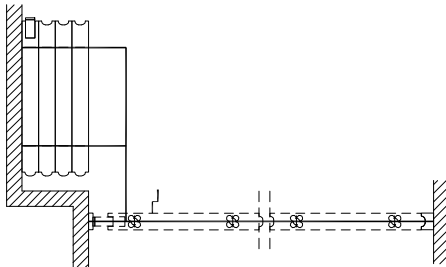
two-point suspension cross guidance (CG)

4



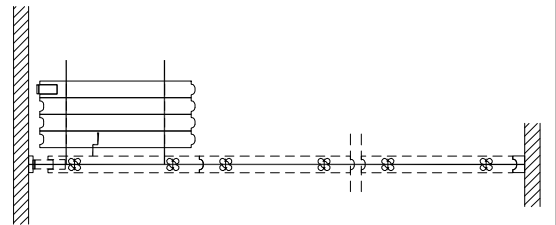
two-point suspension cross guidance (CG)

5



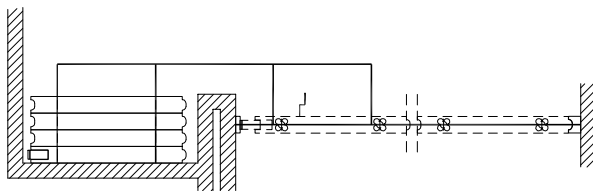
two-point suspension cross guidance (CG)

6



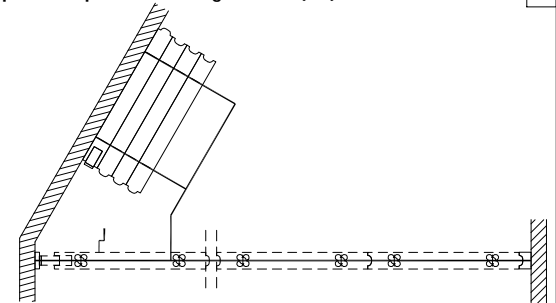
two-point suspension cross guidance (CG)

7



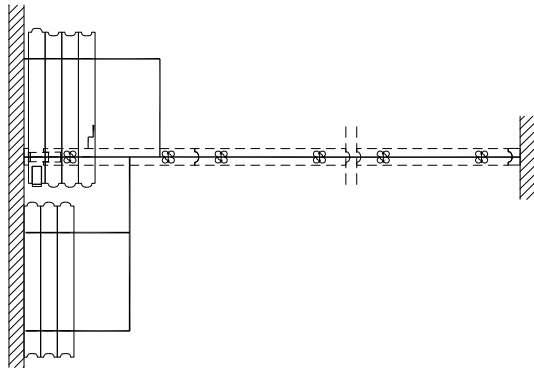
two-point suspension cross guidance (CG)

8



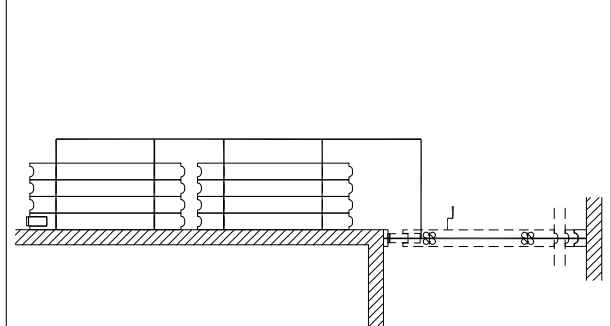
two-point suspension cross guidance (CG)

9



two-point suspension cross guidance (CG)

10



designed
for space



movable walls &
folding partitions
Panningen, The Netherlands

Palace general

Examples parking possibilities

Date	03-04-2001	
Scale	1:50	
Size	A4	
Drawn	FR	
Revision	Date	By

PALACE-202